

Easidew Transmitter

2-Wire Dew-Point Transmitter



The Easidew is a dew-point transmitter with a 5/8" process connection. It is designed for ease of use, incorporating all of the features needed to make installation and operation into your air or gas management system as simple as possible.

Michell's Advanced Ceramic Moisture Sensor technology based transmitter is calibrated to international standards and is delivered with a traceable calibration certificate.

Highlights

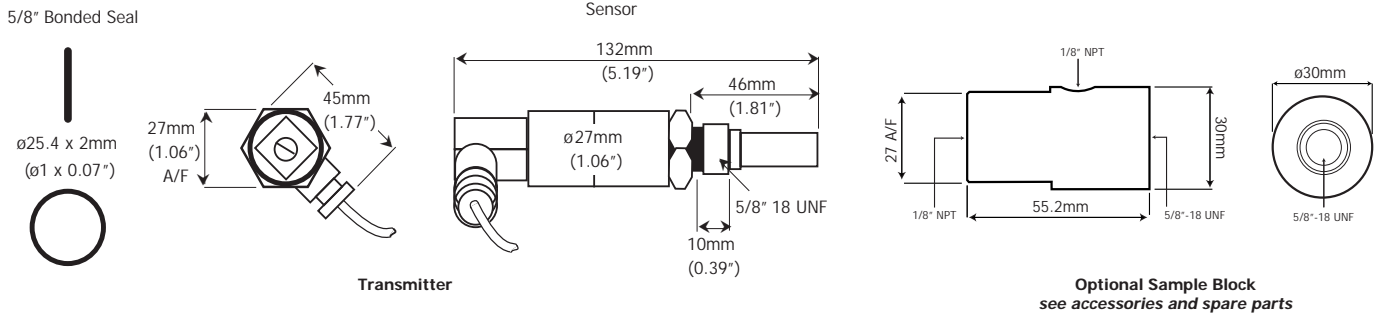
- 5/8" UNF process connection
- Dew point or ppm_v moisture content
- 2-wire loop powered connection
- Rugged 316 stainless steel IP66 construction
- Measurement range -100 to +20°C
- Accuracy ±2°Cdp
- Calibration Certificate (NPL, NIST)

Technical Specifications

Performance									
Measurement range	-100 to +20°C dew point								
Accuracy	±2°C dew point								
Response time	5 mins to T95 (dry to wet)								
Repeatability	0.5°C dew point								
Calibration	Traceable 7-point calibration certificate								
Electrical Specifications									
Output signal	4–20 mA (2-wire connection, current source) User configurable over range								
Output	Dew point, moisture content for ppm _v								
Analog output scaled range	Dew point: -100 to +20°C Moisture content in gas: 0–3000 ppm _v Non-standard available upon request								
Supply voltage	12 to 28 V DC								
Load resistance	Max 250 Ω @ 12 V (500 Ω @ 24 V)								
Current consumption	20 mA max								
CE marked	Certified								
Operating Specifications									
Operating temperature	-40 to +60°C								
Operating pressure	45 MPa (450 barg / 6500 psig) max								
Flow rate	1 to 5 NI/min mounted in standard sampling block; 0 to 10 m/sec direct insertion								
Temperature coefficient	Temperature compensated across operating temperature range								
Mechanical Specifications									
Ingress protection	IP66 in accordance with standard BS EN 60529:1992 NEMA 4 in protection accordance with standard NEMA 250–2003								
Housing material	316 stainless steel								
Dimensions	L=132mm x ø45mm (with connector)								
Filter (sensor protection)	Standard: HDPE guard <10µm Optional: 316 stainless steel sintered guard <80µm								
Process connection and material	5/8" - 18 UNF 316 stainless steel								
Weight	150g								
Electrical connections	Hirschmann GDS series (DIN 4350-C)								
Diagnostic conditions (factory programmed)	<table border="1"> <thead> <tr> <th>Condition</th> <th>Output</th> </tr> </thead> <tbody> <tr> <td>Sensor fault</td> <td>23 mA</td> </tr> <tr> <td>Under-range dew point</td> <td>4 mA</td> </tr> <tr> <td>Over-range dew point</td> <td>20 mA</td> </tr> </tbody> </table>	Condition	Output	Sensor fault	23 mA	Under-range dew point	4 mA	Over-range dew point	20 mA
Condition	Output								
Sensor fault	23 mA								
Under-range dew point	4 mA								
Over-range dew point	20 mA								

Easidew Transmitter

Dimensions



Optional Sample Block
see accessories and spare parts

Electrical Connections

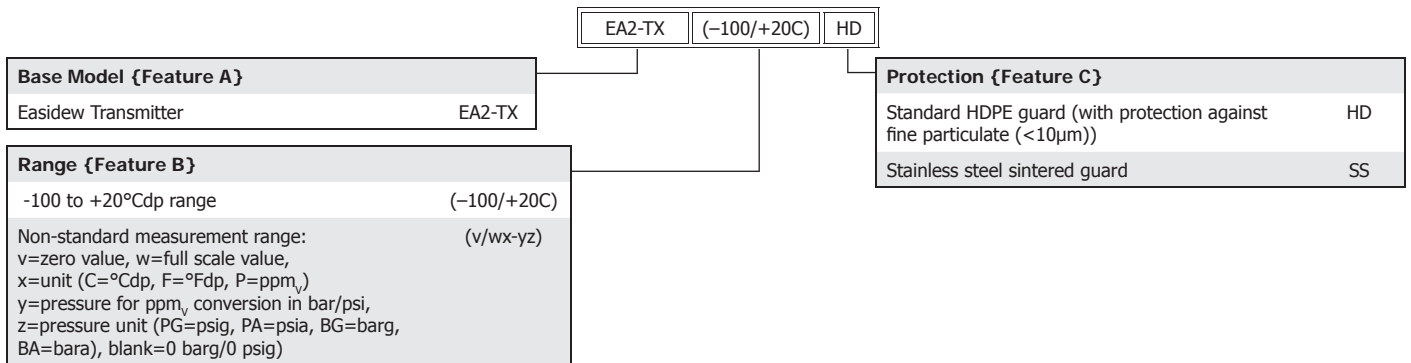
4-20 mA connections 2-wire	
Pin 1	4-20 mA
Pin 3	POWER

Ordering Codes

To construct the order code, select the relevant feature from the tables below, starting with the base model, which is {Feature A} and then add on options to create a string: {Feature A} + {Feature B} + {Feature C}

Order example: EA2-TX + (-100/+20C) + HD

Easidew Transmitter, 2-wire, 4-20 mA output, measurement range -100 to +20°Cdp, HDPE guard



Accessories and Spare Parts

		Process Connection Size 5/8"
Sensor Protectors	Pack of 10 replacement HDPE guards for protection against fine particulate <10µm	EA2-HDPE
	Stainless steel sintered guard replacement for protection against fine particulate <80µm	SSG
	Pack of 10 particulate filter cartridges for protection against fine particulate <25µm (for Sampler kits)	SSF-PF-10PK
Connection Adaptors	3/4" UNF to 5/8" UNF adaptor	APT-PAN
	G1/2" BSP to 5/8" UNF adaptor	APT-GEI
	1/2" BSP to 5/8" UNF thread adapter	APT-TSO
Sampling Block	5/8" 316 stainless steel sample block (with 1/8" NPT inlet & outlet ports)	CSB
	5/8" Sampler kit- For atmospheric or pressure dp measurements (145 psig/10 barg max)	EA2-SAM
	5/8" HP sampler kit — For atmospheric or pressure dp measurements (2900 psig/200 barg max)	EA2-SAM-HP
Other Parts	PTFE sample tube — 6mm outside diameter, thick-walled (for sampler kit) (if more than the standard 0.5mm is required)	PTFE-XX
	Sensor cable – standard length 0.8m with mini-DIN mating socket (for NON I.S. sensors) Additional cable length above 0.8m	EA2-CAB-xx xx= total length - i.e. CAB-0.8
	Additional/replacement transmitter labels (per 2 labels)	GEN-LABEL
	5/8" Bonded Seal for process connection (pack of 5)	BS-58-PK5
	Sensor connector	EA2-SC
	Communications kit for Easidew Transmitter	EA2-CK