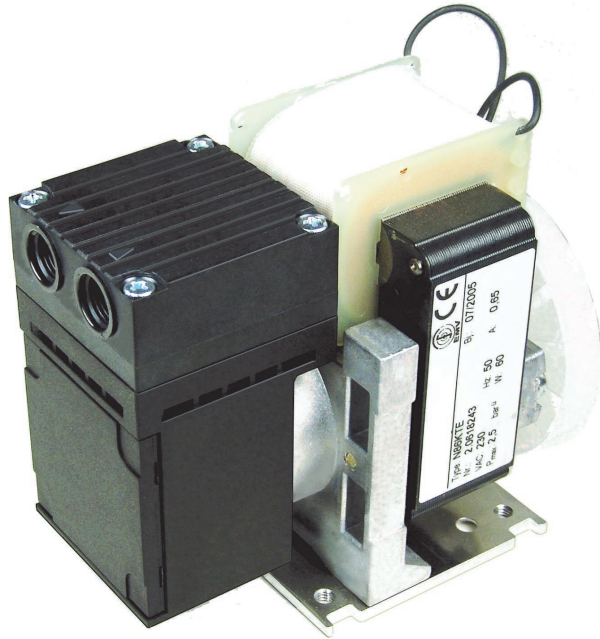


## Gas Sample Pump JSP83, JSP86 & JSP89



**JCT**  
Analysentechnik  
GmbH



Sample Probes

Heated Hoses

Conditioners

NOx converter

Accessories

### APPLICATION

- For continuous transport of sample gas in analytical systems
- For long pipe/hose distances
- Suitable for mobile devices

### BENEFITS

- Maintenance free construction
- Robust construction
- High pneumatic performance
- Long life time
- Uncontaminated flow
- Low noise & vibrations
- High suction capacity

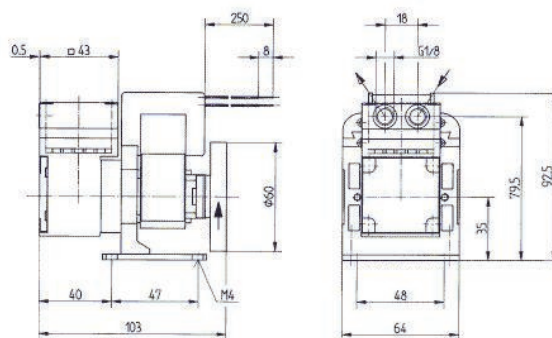
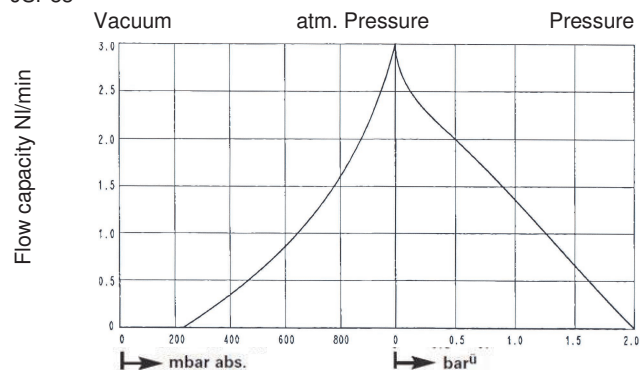
### FEATURES

- Membrane pump
- Gas wetted parts are made of Teflon, Ryton or Kalrez®
- Oil-free gas path
- Compact and light weight design
- Ball bearing, brushless shaded pole motor
- Low electromagnetic interference
- Accessories: gas fittings, mounting bracket, shock absorber
- can be operated in any mounting position

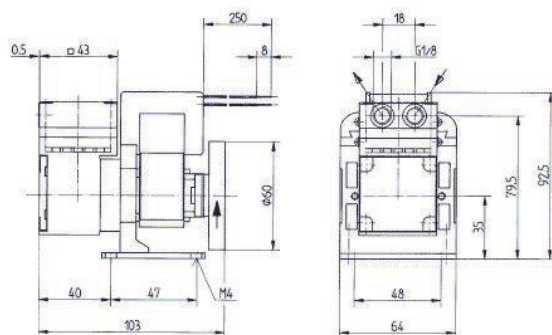
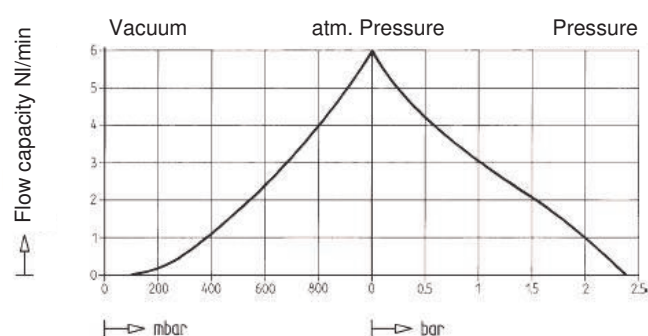


## TECHNICAL DATA

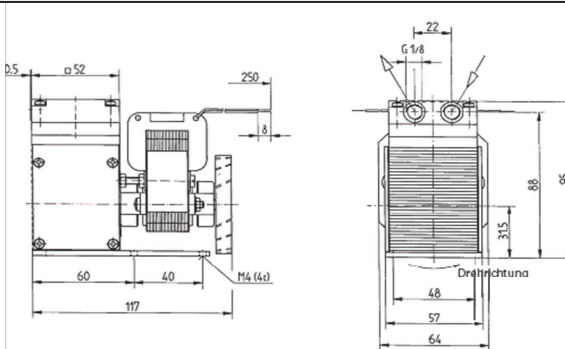
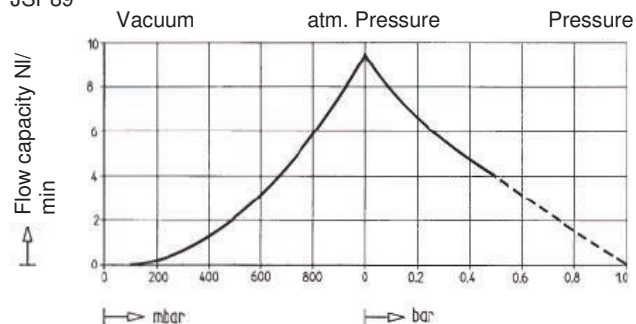
JSP83



JSP86



JSP89



SPECIFICATIONS FOR

JSP83

JSP86

JSP89

	JSP83	JSP86	JSP89
Order code	K8533125 / K8533105	K1233144 / K1233405	K8533122 / K8533102
Flow rate	1,8 NI/min (atm. pressure)	6 NI/min (atm. pressure)	9,5 NI/min (atm. pressure)
Max. operating pressure	2,0 bar	2,4 bar	0,5 bar
Ambient temperature	+5 ...+40 °C	+5 ...+40 °C	+5 ...+40 °C
End vacuum	200 mbar abs.	100 mbar abs.	100 mbar abs.
Weight	1,1 kg	1,1 kg	1,3 kg
Power supply	115VAC, 60Hz; 230VAC, 50Hz	115 VAC, 60Hz; 230 VAC, 50 Hz	115 VAC, 60 Hz; 230 VAC, 50Hz
Power consumption	60 W	60 W	60 W
Protection class	IP 00	IP 00	IP 00
Pump head material	Ryton	Ryton	Ryton
Membrane material	Teflon	Teflon	Teflon
Valve material	Kalrez®	Kalrez	Kalrez®
Gas connection	G 1/8	G 1/8	G 1/8

Specification subject to change without notice.

PDS\_E\_JSP\_83\_86\_89\_v1.0

# JCT Analysentechnik GmbH

Werner Heisenberg-Straße 4 A-2700 Wiener Neustadt  
 Tel. +43 (0) 2622 / 87201 Fax +43 (0) 2622 / 872011  
 E-Mail: [sales@jct.at](mailto:sales@jct.at) Web: [www.jct.at](http://www.jct.at)

