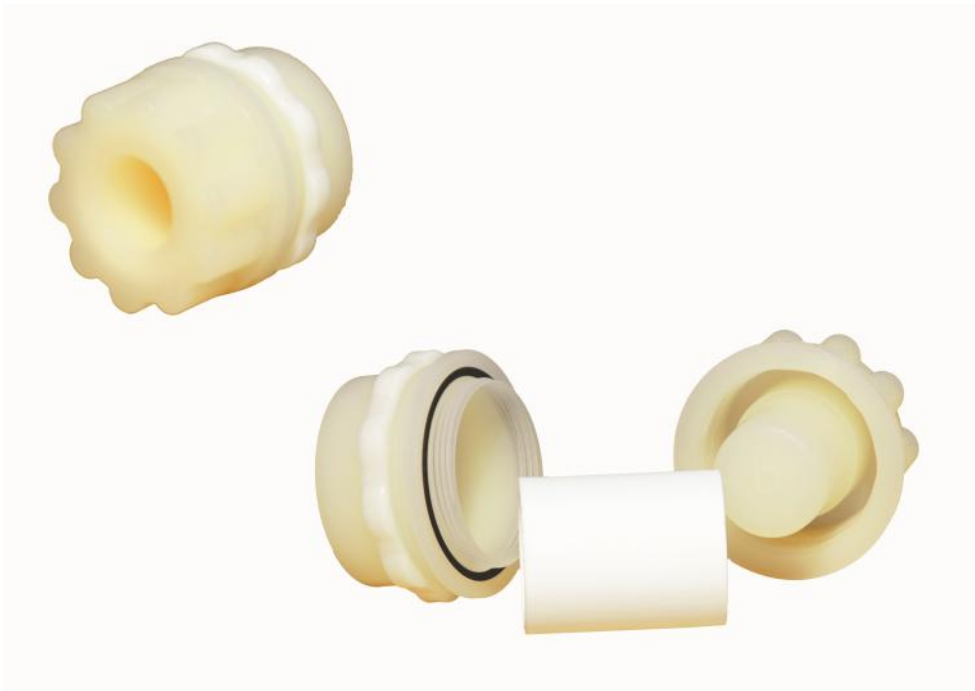




JF-1 Analyser Gas Filter



JCT
Analysentechnik
GmbH

Sample Probes

Heated Hoses

Conditioners

NOx converter

Accessories

APPLICATION

- Removing dust and impurities from sample gas
- for extractive analysis systems

BENEFITS

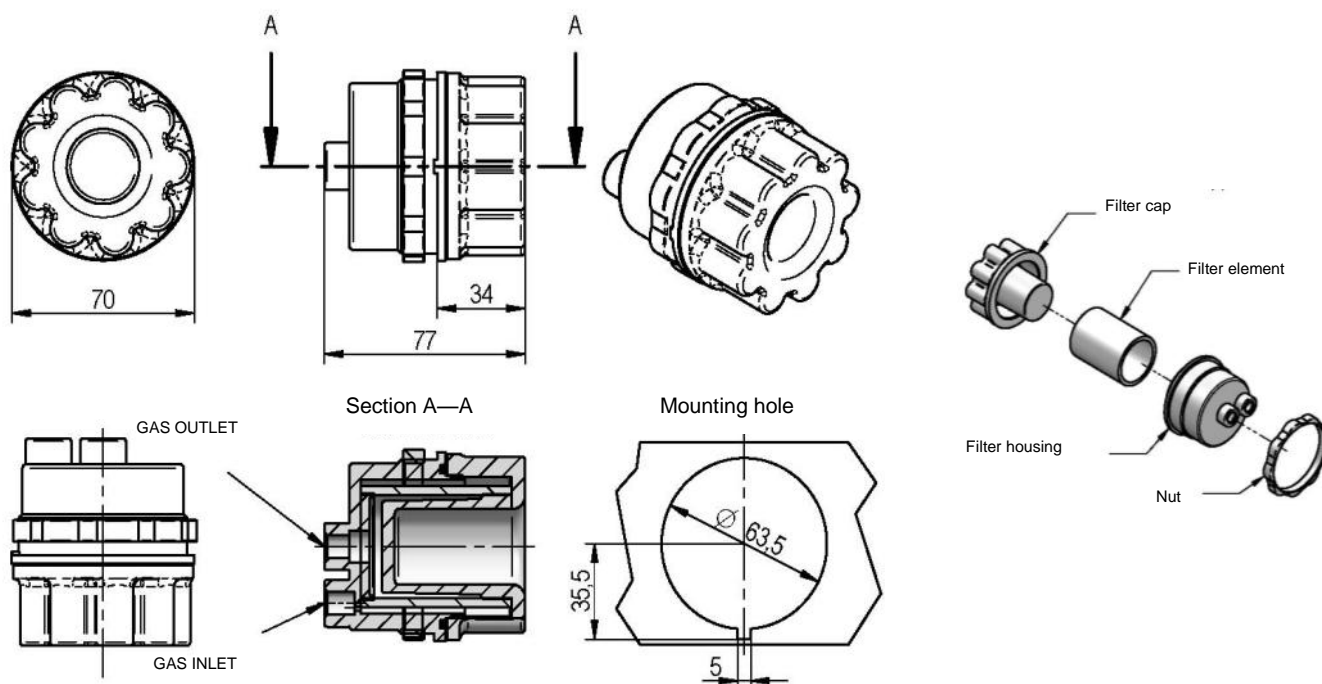
- Corrosion and chemical resistance
- Protects sensitive analysers
- Versatile use

FEATURES

- High chemical resistance
- Small dead space
- Filter elements in PTFE
- Filter elements in glassfibre
- Panel mount
- Low pressure drop



TECHNICAL DATA



SPECIFICATIONS

Housing material	PVDF
O-ring sealing	FPM (Viton®)
Dead volume	< 40 cm ³
Filter surface	80 cm ²
Weight	210 g
Connections	2 x G 1/8"
Operating pressure	3bar max.
Operating temperature	max. 150°C
Filter element glassfibre	2µm
Filter element PTFE sintered	2µm
Approval / Sign	CE

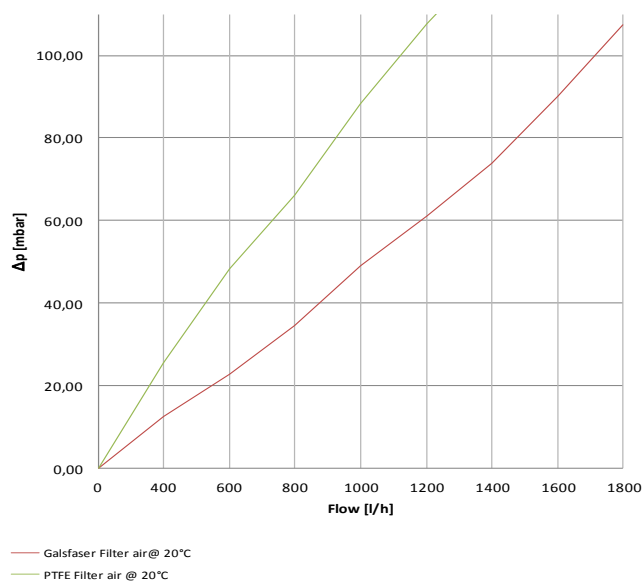
ORDER CODE

Part No.	Description
17.00001	Filterhousing JF-1
17.00002	Filter element Glassfibre 5 pcs/pack
17.00003	Filter element PTFE 3 pcs/pack
17.90001	O-ring 3 pcs/pack

FLOW DIAGRAMM

Pressure Drop (with new filter)

filter & air @ 20°C



Specification subject to change without notice.

PDS_E_JF!_v1.4

JCT Analysetechnik GmbH

Werner Heisenberg-Straße 4 A-2700 Wiener Neustadt
 Tel. +43 (0) 2622 / 87201 Fax +43 (0) 2622 / 872011
 E-Mail: sales@jct.at Web: www.jct.at

