

Sensors for pH Measurement

Energy

Water



SE 560 pH Sensor

For low-conductivity media or low temperatures, refillable liquid electrolyte

Precise measurements due to self-cleaning junctions with high outflow of electrolyte even for media of very low conductivity. Measurement at low temperatures possible thanks to a special low-impedance glass.

Applications

Ultrapure water, drinking water, boiler feed water in power plants, cooling brine

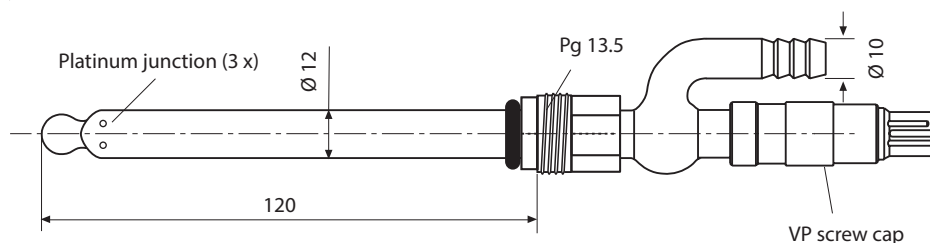
Facts

- Precise measurement under difficult conditions (low conductivity, contaminations)
- Integrated temperature detector
- Measurement at low temperatures
- 3 ceramic junctions
- VP screw cap

Specifications

pH:	0 ... 14
Temperature:	-20 ... +80 °C
Pressure:	Unpressurized
Temperature detector:	Pt 1000
Sensor material:	Low-impedance standard pH glass, fast response
Reference system:	Liquid electrolyte, refillable, Ag/AgCl system
Junction:	Platinum (3 x)
Immersion depth:	120 mm
Sensor cap:	VP (VarioPin)

Dimension Drawing



All dimensions in mm

Product Range		Order No.	
SE 560 pH sensor	Length 120 mm	SE 560	
Accessories		Order No.	
VP6-ST cable	3 m	ZU 0313	
	5 m	ZU 0314	
	10 m	ZU 0315	
	20 m	ZU 0584	
Buffer Solutions (20° C)		Order No.	
pH value 2.00 ± 0.02	250 ml	CS-P0200/250	
	250 ml	CS-P0400/250	
		1000 ml	CS-P0400/1000
		3000 ml	CS-P0400/3000
pH value 7.00 ± 0.02	250 ml	CS-P0700/250	
	1000 ml	CS-P0700/1000	
	3000 ml	CS-P0700/3000	
pH value 9.00 ± 0.02	250 ml	CS-P0900/250	
	1000 ml	CS-P0900/1000	
	3000 ml	CS-P0900/3000	
pH value 12.00 ± 0.05	250 ml	CS-P1200/250	
Electrolyte	250 ml	ZU 0591	
Electrolyte reservoir		ZU 0321	
Equipotential bonding electrode	Platinum; for monitoring the reference system of the pH sensor or for simultaneous ORP measurement	ZU 0073	

Sensors for pH Measurement

Energy

Water

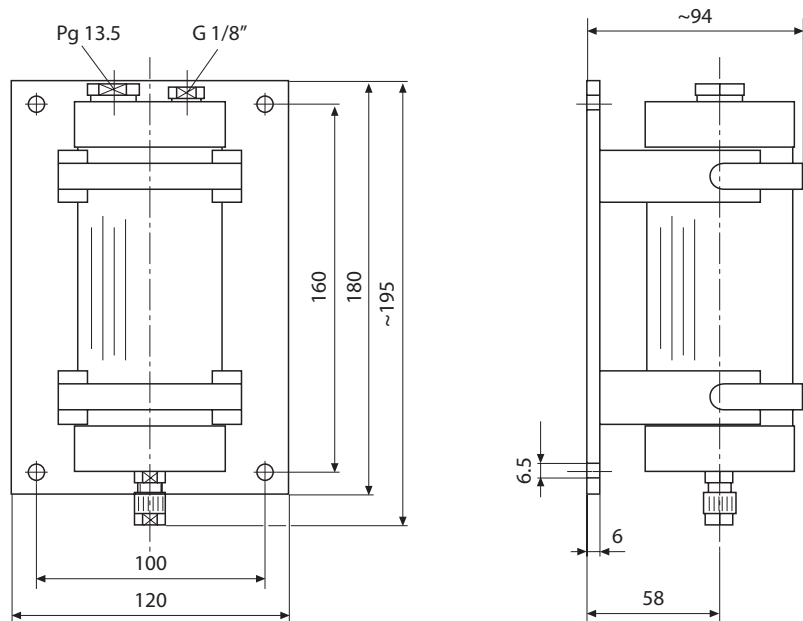
SE 560 pH Sensor

Accessories/Specifications

ZU 0321 electrolyte reservoir

Material:	Hard PVC, transparent
Useful capacity:	300 ml
Pressure:	Unpressurized
Sensor locations:	1 x Pg 13.5 for use as electrolytic key
Hose connection:	Coupling for 4/6 x 1 mm hose (5-m hose 4/6 x 1, PVC, and adapter for 10-mm hose clip, included in shipment)
Refill:	G 1/8" hole with screw plug
Assembly:	Wall holder

Dimension drawing:



All dimensions in mm