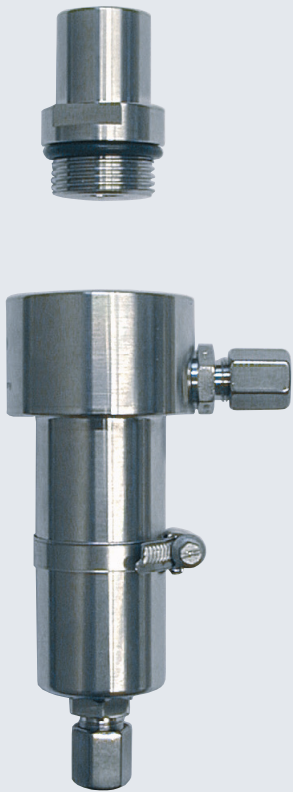


Flow-Through Fittings

Energy

Water



ARF 200 / ARF 202 Flow-Through Fitting

Stainless-steel flow-through fitting with one sensor location

Compact flow-through fitting for one sensor; measurement preferably in bypass. An adapter allows connecting sensors using different mounting techniques. Material: stainless steel. For high pressures and temperatures. Process connections: threaded olive connection (ARF 200) or internal G1/4" thread (ARF 202)

Applications

pH, conductivity, and dissolved-oxygen measurement in ultrapure water, slightly polluted water, cooling water,

drinking water, boiler feed water for trace-oxygen measurement

Facts

- 1.457 stainless steel
- for sensors with G 1" connection
- with adapter for sensors with Pg 13.5 connection
- with adapter for fittings with G1 1/4" Ingold socket
- direction of flow 90°
- process connection via
 - threaded olive connection (ARF 200)
 - or internal G1/4" thread (ARF 202)

Product Line

ARF 200 Flow-Through Fitting

G 1"; 1.4571 steel, threaded olive connect.
G 1"; 1.4571 steel, G 1/4" internal thread
G 1"; Hastelloy C4, G 1/4" internal thread

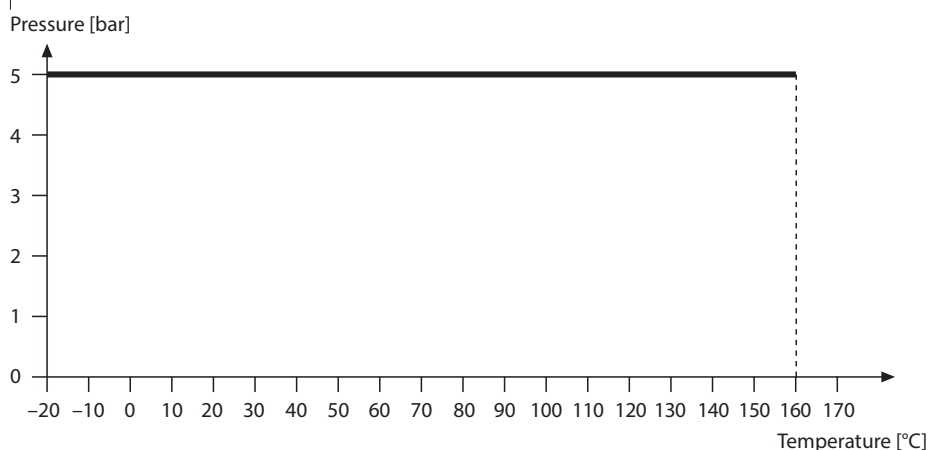
Order No.

ARF 200
ARF 202
ARF 202/HC4

Specifications

Material:	stainless steel 1.4571 (ARF 200/202)/ Hastelloy C4 (ARF 202/HC4)
Pressure:	max. 25 bars
Temperature:	-20 ... +160 °C
Process connection:	ARF 200: threaded olive connection (Serto) for pipe 10 x 1 (gasket in 90° coupling: O-ring, FKM [Viton], 11.1 x 1.78) ARF 202: G 1/4" internal thread
Sensor locations:	1 x G 1" 1 x Pg 13.5 with ZU 0547 adapter 1 x G 1 1/4" with ZU 0667 adapter
Sensors:	cond: SE 604, SE 630 pH: diameter 12 mm, length 120 mm oxy: SE 703, SE 706/1, SE 707/1

Pressure/Temperature Diagram



For up-to-date information, please visit www.knick.de

Knick >

Modular System

This flow-through fitting is available in 2 different versions. There are adapters for 12-mm sensors and fittings with Ingold socket.



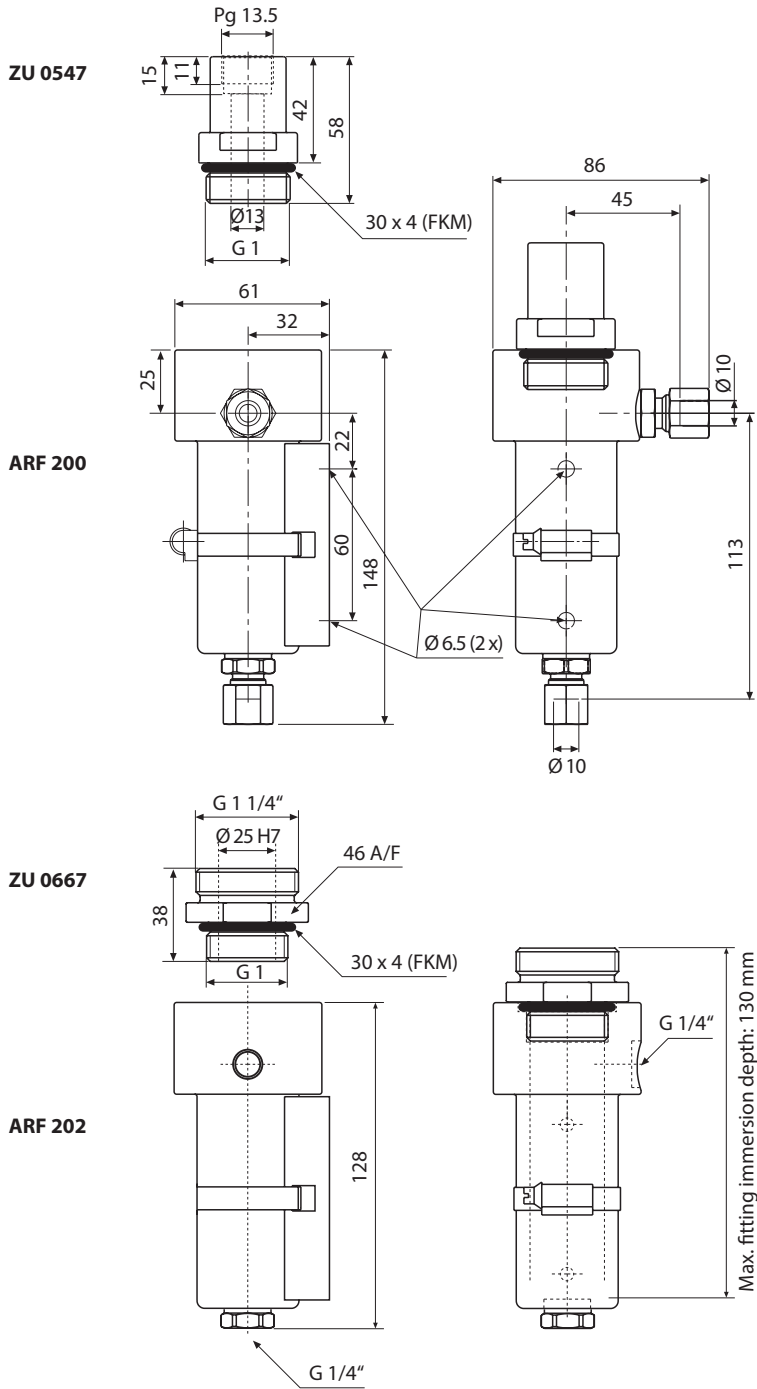
Flow-Through Fittings

Energy

Water

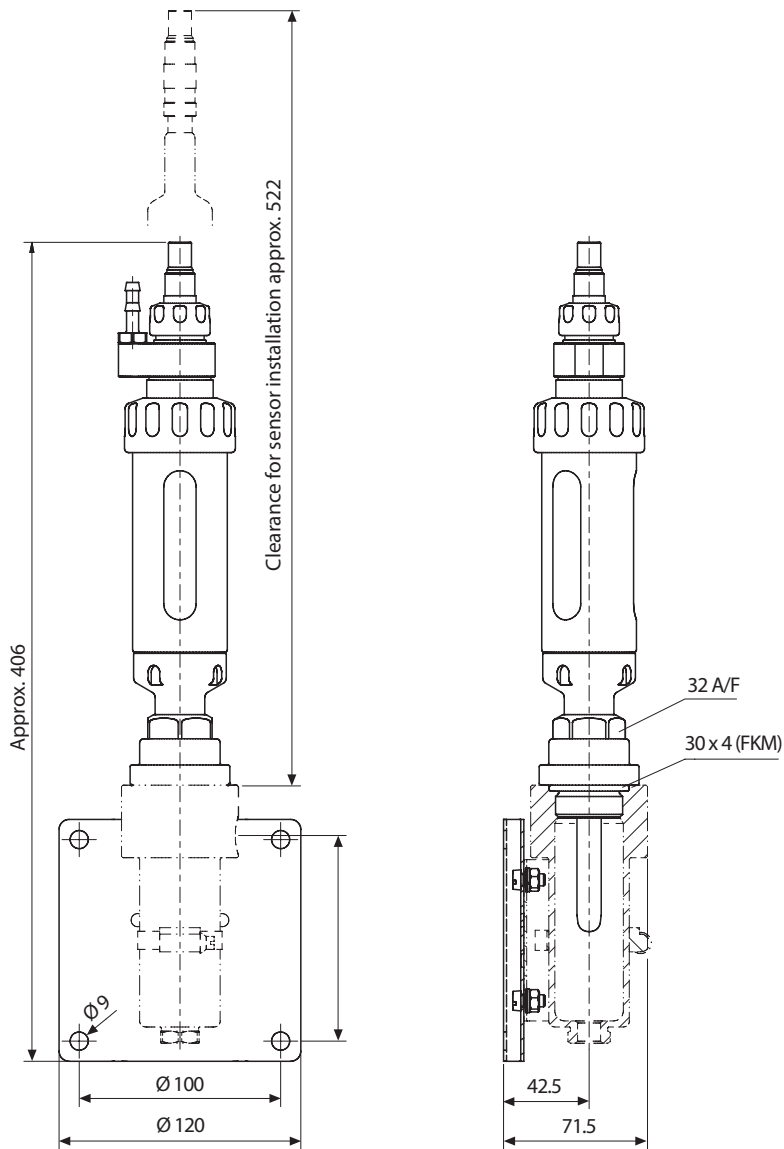
ARF 200 / ARF 202 Flow-Through Fitting

Dimension Drawings



Dimension Drawings – continued

Adapter for sensors with liquid electrolyte (ZU 0783)



Flow-Through Fittings

Energy

Water

ARF 200 / ARF 202 Flow-Through Fitting

Accessories			Order No.
Adapter	for sensors	with Pg 13.5 material: 1.4571 stainless steel gasket: EPDM 30 x 4	ZU 0547
	for sensors	with liquid electrolyte e.g. SE 551/1 material: 1.4571 stainless steel gasket: FKM 30 x 4	ZU 0783
	for fittings	with G 1 1/4" connection material: 1.4571 stainless steel gasket: FKM 30 x 4	ZU 0667
Material test certificate 3.2	for ARF 202 (Hastelloy) C4		ZU 0823