

Sensors for Conductivity Measurement

Chem



SE 600 Conductivity Sensor

4-electrode sensor for high-pressure and high-temperature applications; large measuring range from pure water up to high conductivities

For special chemistry applications up to 210 °C and 25 bar. Universal measuring range from pure water to 600 mS/cm.

With fixed cable and integrated temperature detector.

Process-wetted materials: stainless steel and PTFE; very compact design.

Applications

Special chemical processes; condenser monitoring, also for heavily polluted, e.g. fibrous media, pulp production.

Facts

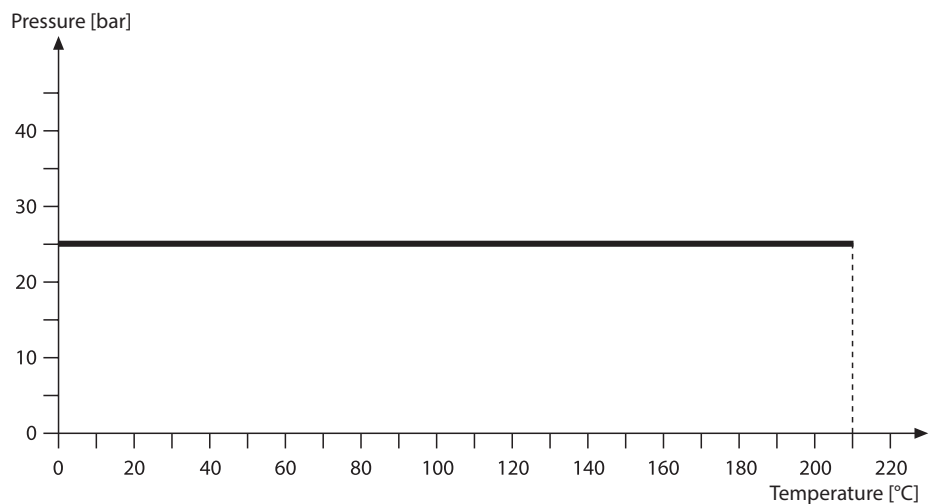
- Large measuring range due to 4-electrode technology
- Measurement at high temperatures and pressures
- High level of process safety due to durable materials and robust design
- Slim, ultracompact design (25 mm diameter)

Specifications

Cell constant ^{*)} :	0.14 cm ... 0.38 cm (exact value printed on rating plate)
Measuring range:	approx. 0.5 µS/cm ... 600 mS/cm
Material:	Body: PTFE / stainless steel AISI 316 L Electrodes: stainless steel AISI 316 L
Temperature detector:	Pt 1000 (IEC Class A)
Temperature:	max. 210 °C
Pressure:	max. 25 bar
Process connection:	1" weld nipple (see Accessories)
Cable:	Fixed cable, 5 m

^{*)} Observe instructions for use (field conditions)

Pressure/Temperature Diagram



Product Range

SE 600 conductivity sensor

G 1"

Order No.

SE 600

Accessories

Screw for ZU 0217

Weld nipple for ZU 0216

Gasket (spare part)

Coupling nut

Conductivity standard KCl 0.1 mol/l 12.88 mS/cm ± 1.5 % 250 ml

Calibration Certificate

Order No.

ZU 0216

ZU 0217

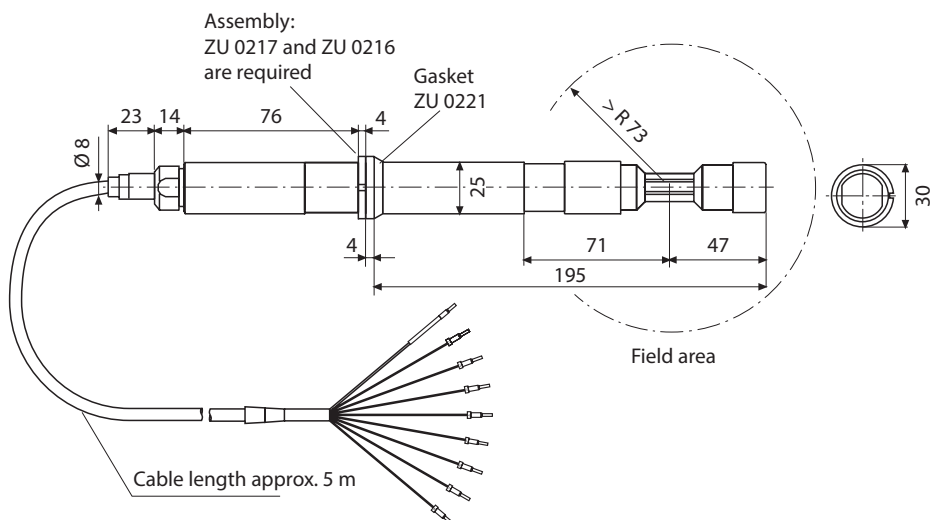
ZU 0221

ZU 0222

ZU 0348

ZU 0320

Dimension Drawing



Sensors for Conductivity Measurement

Chem

SE 600 Conductivity Sensor

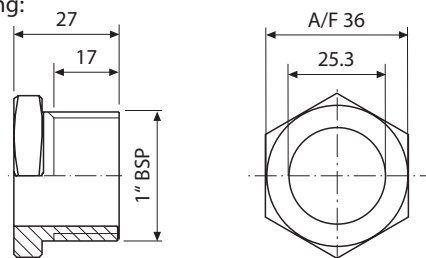
Accessories / Specifications

ZU 0216 screw



Material: 316 L
 Process connection: 1" BSP for ZU 0217
 Temperature: Max. 210 °C
 Pressure: Max. 40 bar

Dimension drawing:

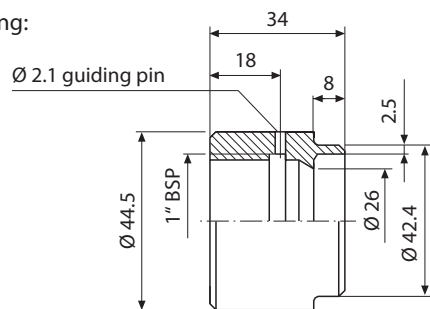


ZU 0217 weld nipple



Material: AISI 316 L
 Process connection: Weld nipple
 Temperature: Max. 210 °C
 Pressure: Max. 40 bar

Dimension drawing:

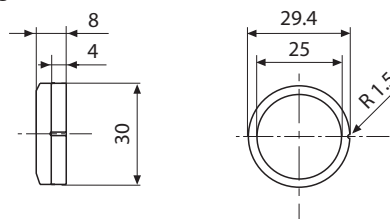


ZU 0221 gasket (spare part)



Material: PTFE

Dimension drawing:



All dimensions in mm

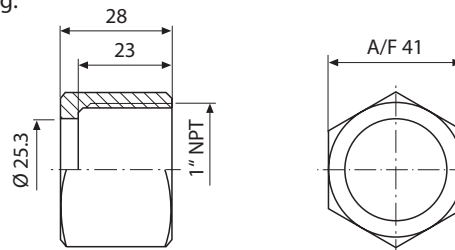
Accessories / Specifications (continued)

Coupling nut for mounting
on threaded coupling,
ZU 0222



Material: AISI 316 L
Dimensions: 1" NPT
Temperature: Max. 210 °C
Pressure: Max. 40 bar

Dimension drawing:



Typical Assemblies

